



**PS2501-1, PS2501-2, PS2501-4**



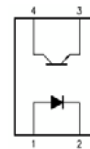
**DESCRIPTION**

The PS2501-1, PS2501-2 and PS2501-4 series of optically coupled isolator consist of an infrared light emitting diode and an NPN silicon photo transistor in a space efficient Dual In Line Plastic Package.

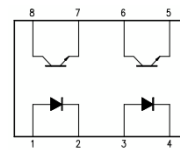
**FEATURES**

- AC Isolation Voltage 5300V<sub>RMS</sub>
- CTR Selections Available
- Wide Operating Temperature Range -30°C to +100°C
- Lead Free and RoHS Compliant
- UL File E91231 Package Code "EE"
- VDE Approval Certificate No. 40028086

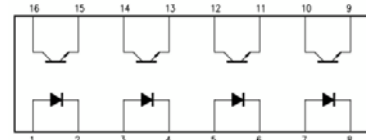
**PS2501-1**



**PS2501-2**



**PS2501-4**



**APPLICATIONS**

- Computer Terminals
- Industrial System Controllers
- Measuring Instruments
- Signal Transmission between Systems of Different Potentials and Impedances

**ABSOLUTE MAXIMUM RATINGS**

Stresses exceeding the absolute maximum ratings can cause permanent damage to the device. Exposure to absolute maximum ratings for long periods of time can adversely affect reliability.

**Input**

Forward Current	50mA
Reverse Voltage	6V
Power dissipation	70mW

**Output**

Collector to Emitter Voltage BV <sub>CEO</sub>	80V
Emitter to Collector Voltage BV <sub>ECO</sub>	6V
Collector Current	50mA
Power Dissipation	150mW

**Total Package**

Operating Temperature	-30 to +100 °C
Storage Temperature	-55 to +125 °C
Total Power Dissipation	200mW
(derate linearly 2.67mW/°C at >25°C)	
Lead Soldering Temperature (10s)	260°C

**ORDER INFORMATION**

- Add X after PN for VDE Approval
- Add G after PN for 10mm lead spacing
- Add SM after PN for Surface Mount
- Add SMT&R after PN for Surface Mount Tape & Reel  
(Available for PS2501-1SM and PS2501-2SM)

**ISOCOM COMPONENTS 2004 LTD**

Unit 25B, Park View Road West, Park View Industrial Estate  
Hartlepool, Cleveland, TS25 1PE, United Kingdom  
Tel : +44 (0)1429 863 609 Fax : +44 (0)1429 863 581  
e-mail : sales@isocom.co.uk  
<http://www.isocom.com>

**ISOCOM COMPONENTS ASIA LTD**

Hong Kong Office  
Block A, 8/F, Wah Hing Industrial Mansion  
36 Tai Yau Street, San Po Kong, Kowloon, Hong Kong  
Tel : +852 2995 9217 Fax : +852 8161 6292  
e-mail : sales@isocom.com.hk

**PS2501-1, PS2501-2, PS2501-4**

**ELECTRICAL CHARACTERISTICS (Ambient Temperature = 25°C unless otherwise specified)**

**INPUT**

Parameter	Symbol	Test Condition	Min	Typ.	Max	Unit
Forward Voltage	$V_F$	$I_F = 20\text{mA}$		1.2	1.4	V
Reverse Voltage	$V_R$	$I_R = 10\mu\text{A}$	6.0			V
Reverse Leakage	$I_R$	$V_R = 4\text{V}$			10	$\mu\text{A}$
Terminal Capacitance	$C_t$	$V = 0\text{V}, f = 1\text{KHz}$		30	250	pF

**OUTPUT**

Parameter	Symbol	Test Condition	Min	Typ.	Max	Unit
Collector—Emitter Breakdown Voltage	$BV_{CEO}$	$I_C = 1\text{mA}, I_F = 0\text{mA}$	80			V
Emitter—Collector Breakdown Voltage	$BV_{ECO}$	$I_E = 100\mu\text{A}, I_F = 0\text{mA}$	6			V
Collector-Emitter Dark Current	$I_{CEO}$	$V_{CE} = 20\text{V}, I_F = 0\text{mA}$			100	nA

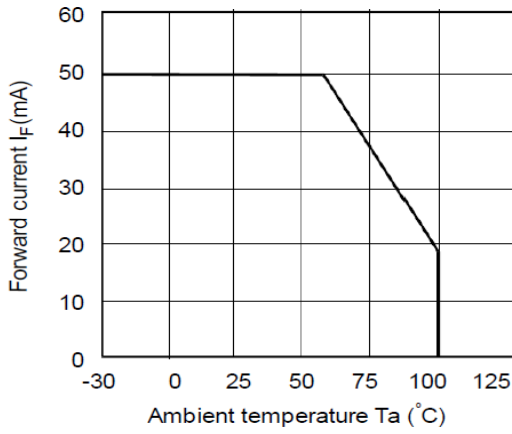
**COUPLED**

Parameter	Symbol	Test Condition	Min	Typ.	Max	Unit
Current transfer ratio	CTR	$I_F = 5\text{mA}, V_{CE} = 5\text{V}$	80		600	%
		Optional CTR Grades				
		GR	100		300	
L (PS2501-1 only)	200		400			
Collector—Emitter Saturation Voltage	$V_{CE(sat)}$	$I_F = 10\text{mA}, I_C = 2\text{mA}$			0.3	V
Input to Output Isolation Voltage	$V_{ISO}$	AC 1 minute, RH = 40 to 60% Note 1	5300			$V_{RMS}$
Input to Output Isolation Resistance	$R_{ISO}$	$V_{IO} = 500\text{V}$ Note 1	$5 \times 10^{10}$			$\Omega$
Output Rise Time	$t_r$	$V_{CE} = 2\text{V}, I_C = 2\text{mA}, R_L = 100\Omega$		4	18	$\mu\text{s}$
Output Fall Time	$t_f$	$V_{CE} = 2\text{V}, I_C = 2\text{mA}, R_L = 100\Omega$		3	18	$\mu\text{s}$

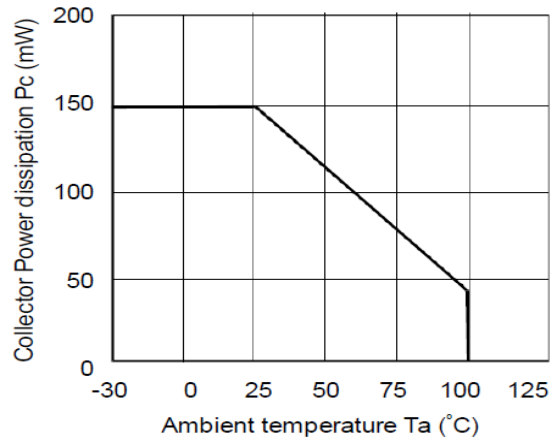
Note 1 : Measure with input leads shorted together and output leads shorted together.



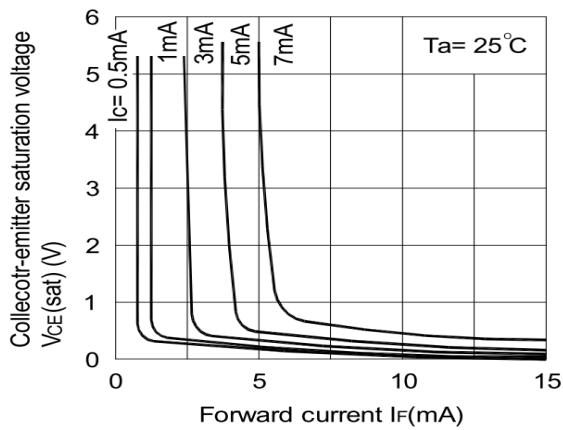
**PS2501-1, PS2501-2, PS2501-4**



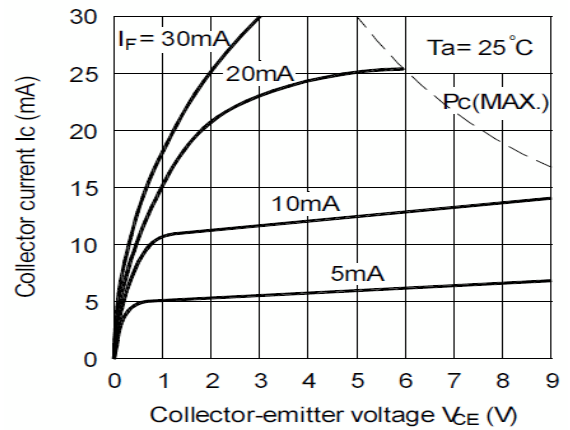
**Fig 1 Forward Current vs  $T_A$**



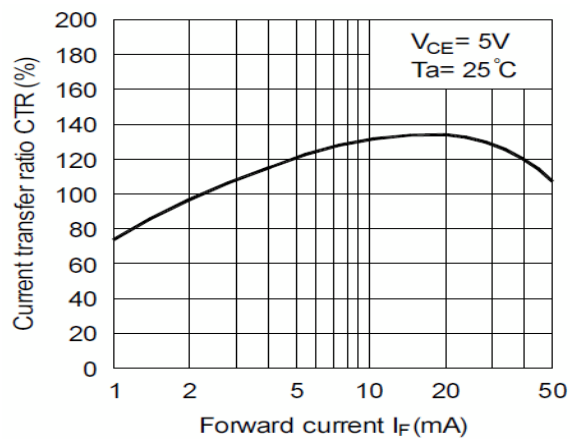
**Fig 2 Collector Power Dissipation vs  $T_A$**



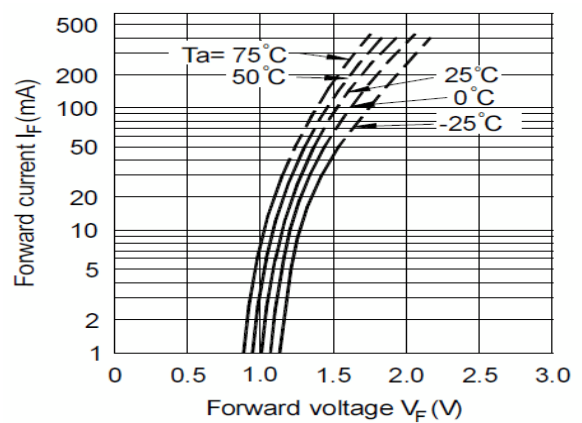
**Fig 3 Collector-emitter Saturation Voltage vs Forward Current**



**Fig 4 Collector Current vs Collector-emitter Voltage**



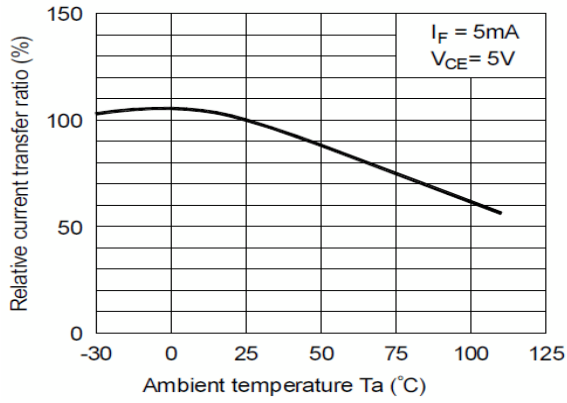
**Fig 5 Current Transfer Ratio vs Forward Current**



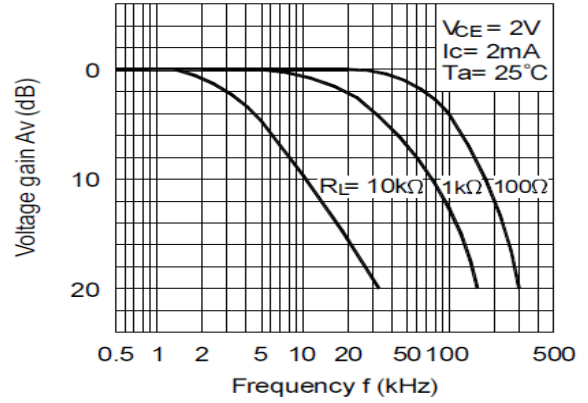
**Fig 6 Forward Current vs Forward Voltage**



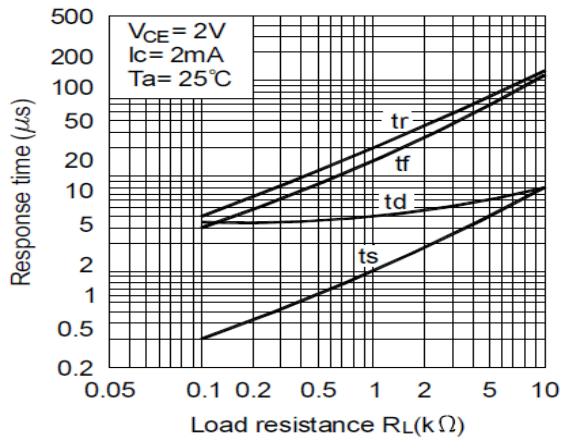
**PS2501-1, PS2501-2, PS2501-4**



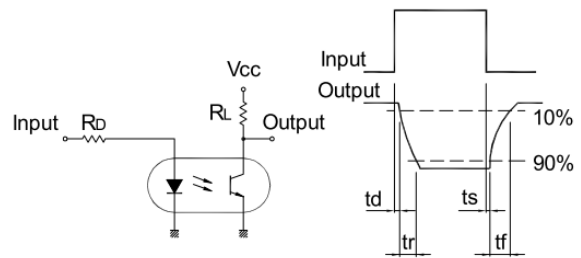
**Fig 7 Relative CTR vs  $T_A$**



**Fig 8 Frequency Response**



**Fig 9 Response Time vs Load Resistance**



**Response Time Test Circuit**



## PS2501-1, PS2501-2, PS2501-4

### ORDER INFORMATION

PS2501-1 (UL Approval)			
After PN	PN	Description	Packing quantity
None	PS2501-1, PS2501-1GR, PS2501-1L	Standard DIP4	100 pcs per tube
G	PS2501-1G, PS2501-1GRG, PS2501-1LG	10mm Lead Spacing	100 pcs per tube
SM	PS2501-1SM, PS2501-1GRSM, PS2501-1LSM	Surface Mount	100 pcs per tube
SMT&R	PS2501-1SMT&R, PS2501-1GRSMT&R, PS2501-1LSMT&R	Surface Mount Tape & Reel	1000 pcs per reel

PS2501-2 (UL Approval)			
After PN	PN	Description	Packing quantity
None	PS2501-2, PS2501-2GR	Standard DIP8	50 pcs per tube
G	PS2501-2G, PS2501-2GRG	10mm Lead Spacing	50 pcs per tube
SM	PS2501-2SM, PS2501-2GRSM	Surface Mount	50 pcs per tube
SMT&R	PS2501-2SMT&R, PS2501-2GRSMT&R,	Surface Mount Tape & Reel	1000 pcs per reel

PS2501-4 (UL Approval)			
After PN	PN	Description	Packing quantity
None	PS2501-4, PS2501-4GR	Standard DIP16	25 pcs per tube
G	PS2501-4G, PS2501-4GRG	10mm Lead Spacing	25 pcs per tube
SM	PS2501-4SM, PS2501-4GRSM	Surface Mount	25 pcs per tube

CTR grade "L" available only for PS2501-1.



## PS2501-1, PS2501-2, PS2501-4

### ORDER INFORMATION

PS2501-1X (UL and VDE Approvals)			
After PN	PN	Description	Packing quantity
None	PS2501-1X, PS2501-1XGR, PS2501-1XL	Standard DIP4	100 pcs per tube
G	PS2501-1XG, PS2501-1XGRG, PS2501-1XLG	10mm Lead Spacing	100 pcs per tube
SM	PS2501-1XSM, PS2501-1XGRSM, PS2501-1XLSM	Surface Mount	100 pcs per tube
SMT&R	PS2501-1XSMT&R, PS2501-1XGRSMT&R, PS2501-1XLSMT&R	Surface Mount Tape & Reel	1000 pcs per reel

PS2501-2X (UL and VDE Approvals)			
After PN	PN	Description	Packing quantity
None	PS2501-2X, PS2501-2XGR	Standard DIP8	50 pcs per tube
G	PS2501-2XG, PS2501-2XGRG	10mm Lead Spacing	50 pcs per tube
SM	PS2501-2XSM, PS2501-2XGRSM,	Surface Mount	50 pcs per tube
SMT&R	PS2501-2XSMT&R, PS2501-2XGRSMT&R	Surface Mount Tape & Reel	1000 pcs per reel

PS2501-4X (UL and VDE Approvals)			
After PN	PN	Description	Packing quantity
None	PS2501-4X, PS2501-4XGR,	Standard DIP16	25 pcs per tube
G	PS2501-4XG, PS2501-4XGRG	10mm Lead Spacing	25 pcs per tube
SM	PS2501-4XSM, PS2501-4XGRSM	Surface Mount	25 pcs per tube

CTR grade "L" available only for PS2501-1.

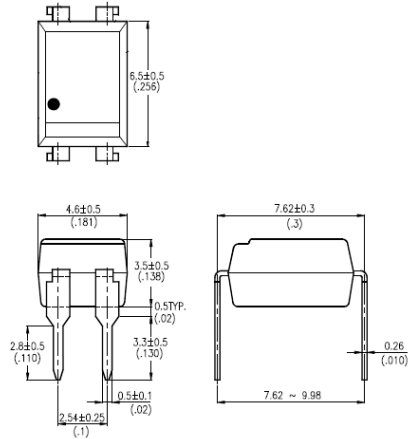


## PS2501-1, PS2501-2, PS2501-4

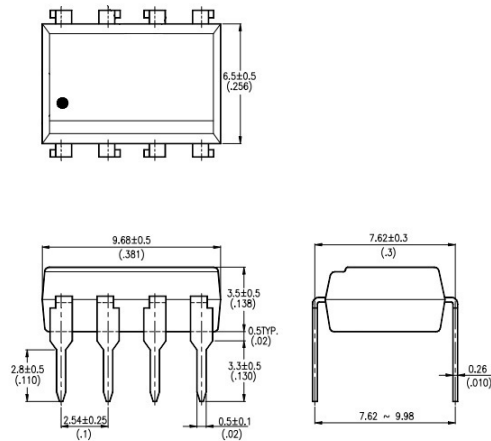
### PACKAGE DIMENSIONS in mm (inch)

#### DIP

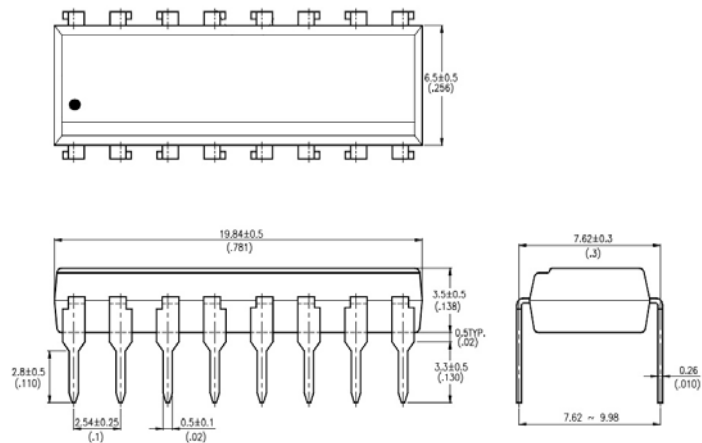
**PS2501-1**



**PS2501-2**



**PS2501-4**



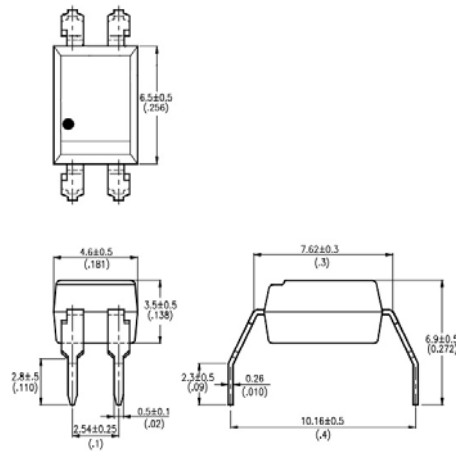


**PS2501-1, PS2501-2, PS2501-4**

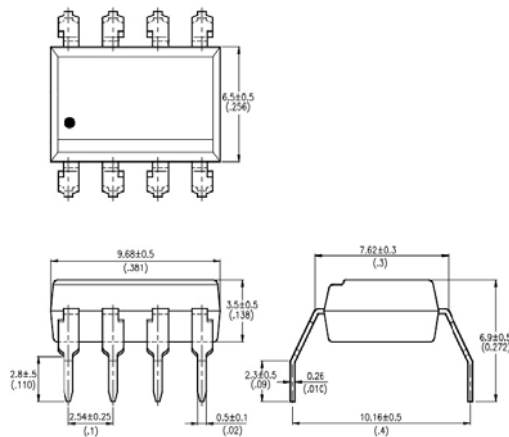
**PACKAGE DIMENSIONS in mm (inch)**

**G Form**

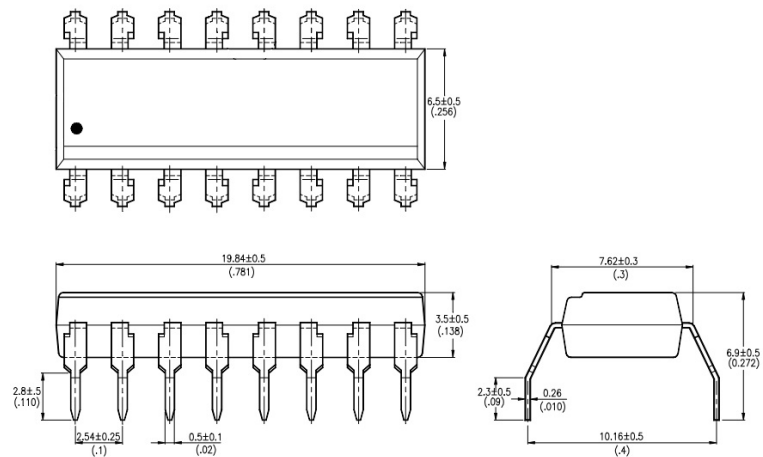
**PS2501-1G**



**PS2501-2G**



**PS2501-4G**





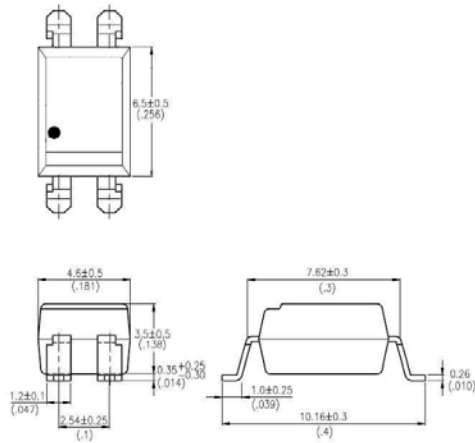


**PS2501-1, PS2501-2, PS2501-4**

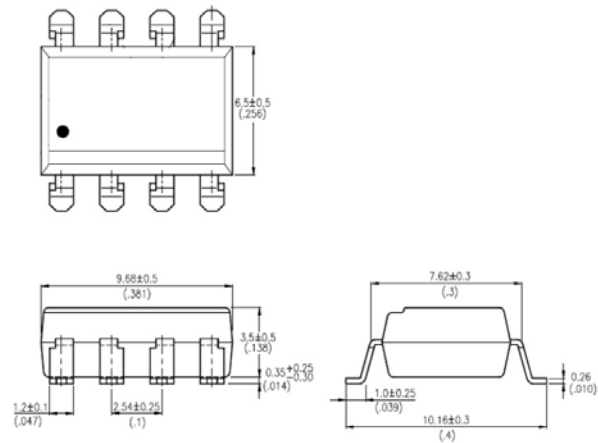
**PACKAGE DIMENSIONS in mm (inch)**

**SMD**

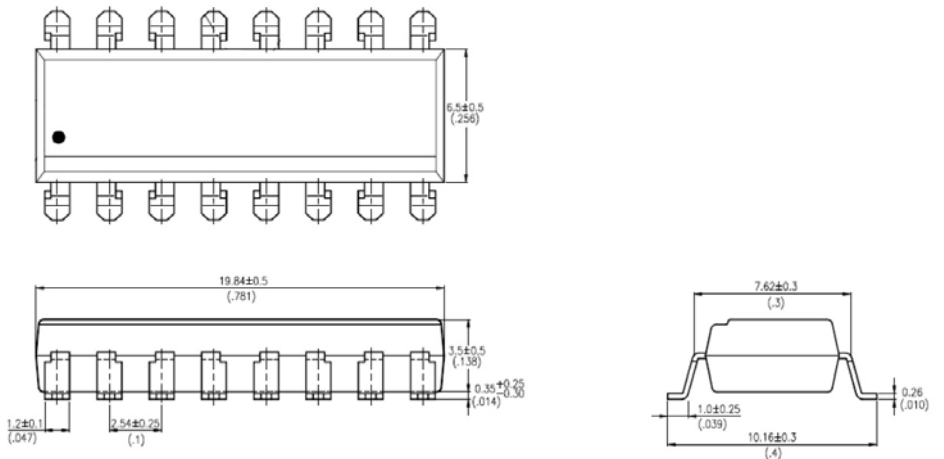
**PS2501-1SM**



**PS2501-2SM**



**PS2501-4SM**

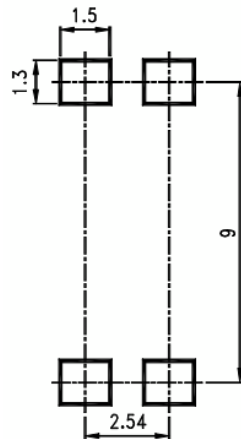




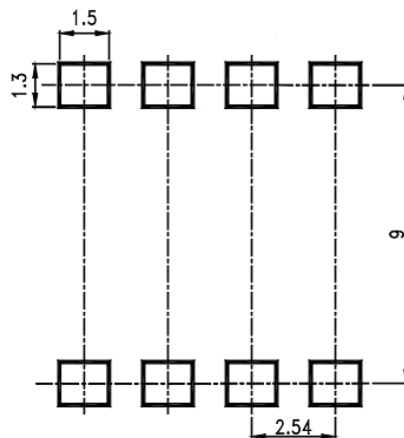
**PS2501-1, PS2501-2, PS2501-4**

**RECOMMENDED PAD LAYOUT FOR SMD (mm)**

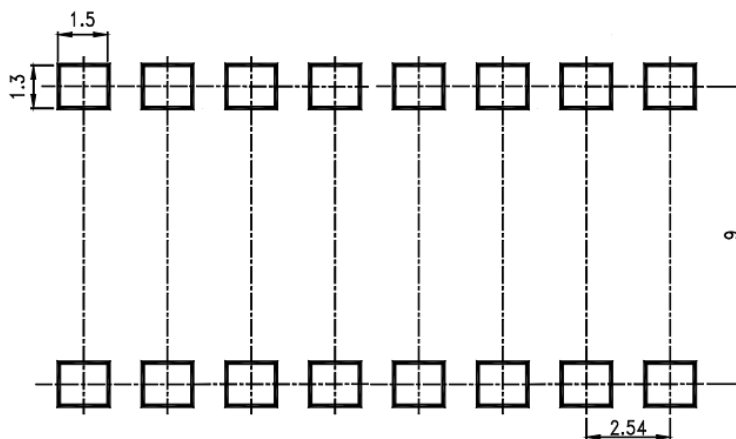
**PS2501-1SM**



**PS2501-2SM**



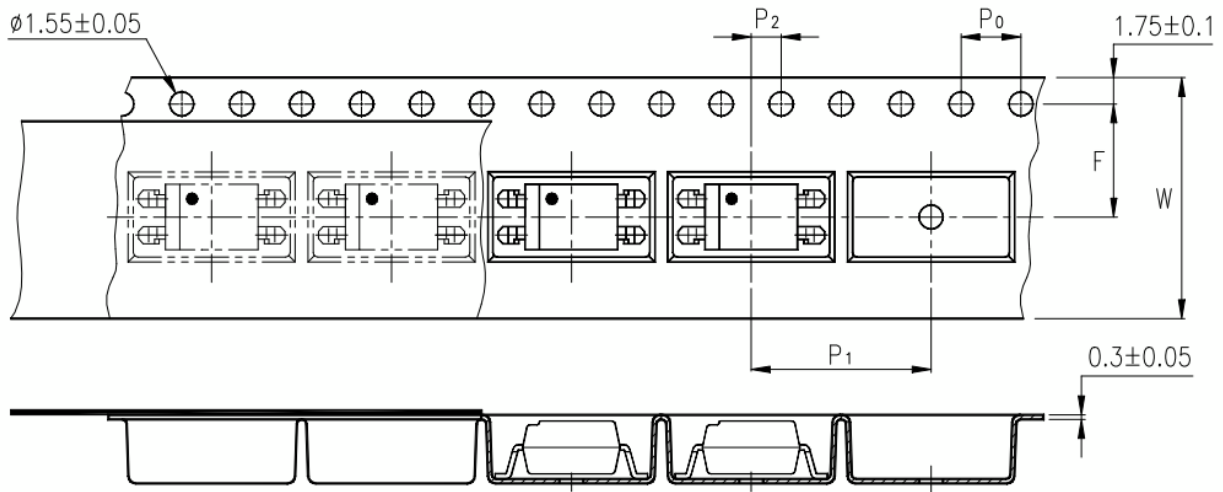
**PS2501-4SM**



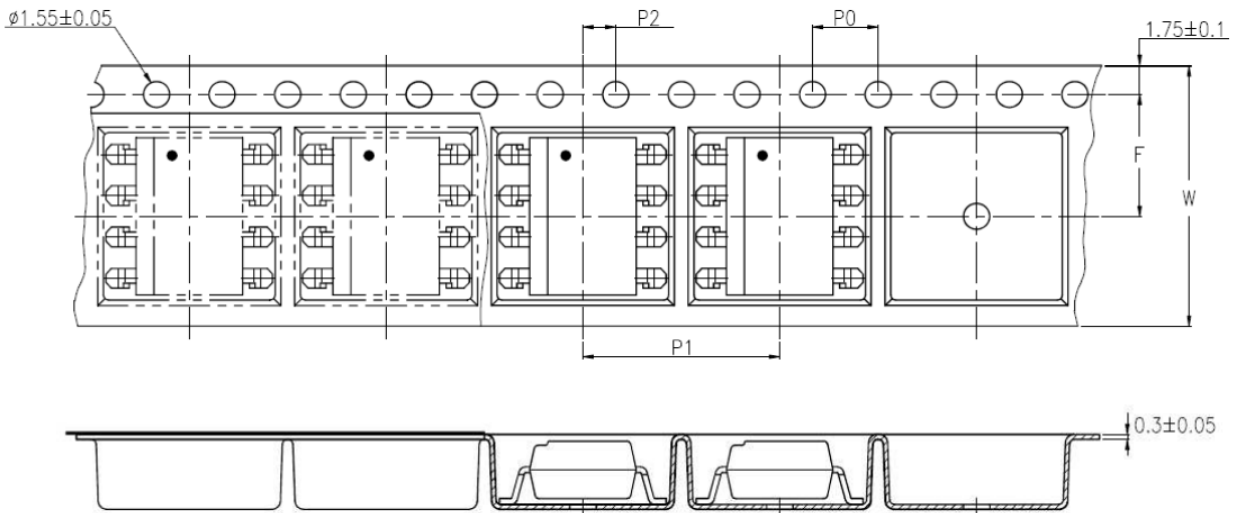


**PS2501-1, PS2501-2, PS2501-4**

**TAPE AND REEL PACKAGING**



**PS2501-1SMT&R**



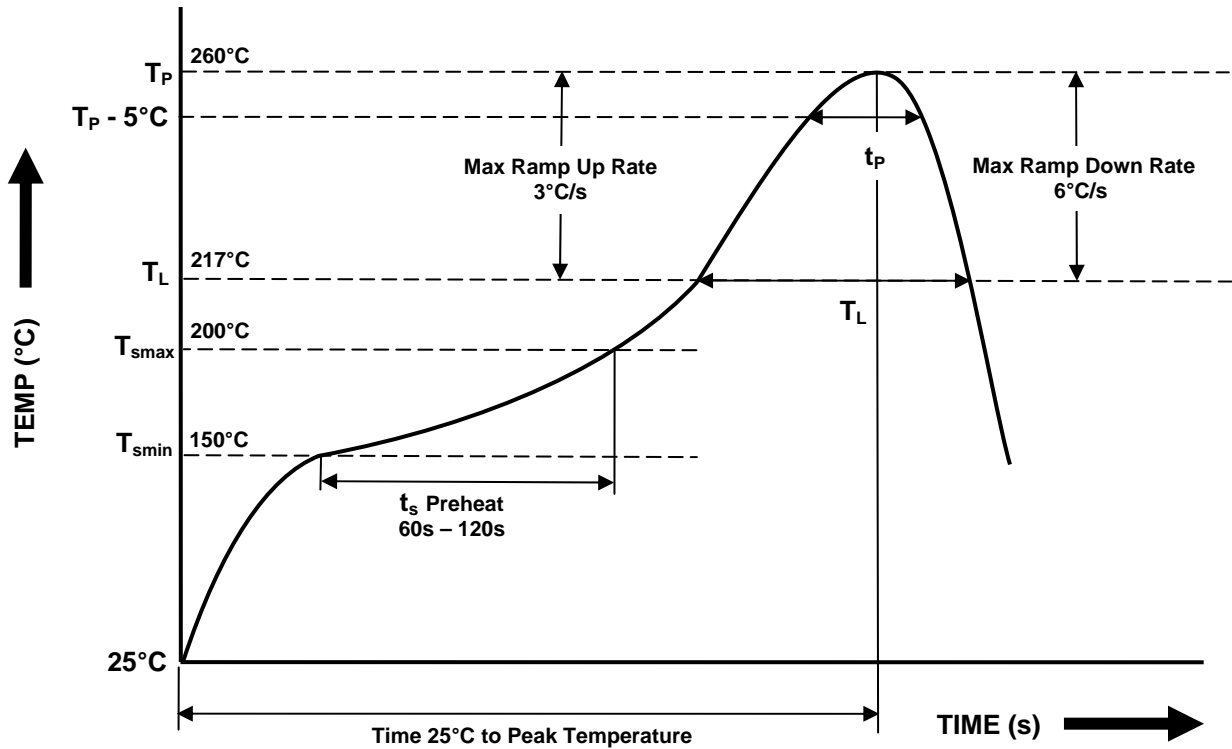
**PS2501-2SMT&R**

Description	Symbol	Dimensions in mm ( inches )
Tape wide	W	$16 \pm 0.3$ ( .63 )
Pitch of sprocket holes	$P_0$	$4 \pm 0.1$ ( .15 )
Distance of compartment	F	$7.5 \pm 0.1$ ( .295 )
Distance of compartment to compartment	$P_2$	$2 \pm 0.1$ ( .079 )
Distance of compartment to compartment	$P_1$	$12 \pm 0.1$ ( .472 )



**PS2501-1, PS2501-2, PS2501-4**

**IR REFLOW SOLDERING TEMPERATURE PROFILE FOR SMD  
(One Time Reflow Soldering is Recommended)**



Profile Details	Conditions
<b>Preheat</b> - Min Temperature ( $T_{SMIN}$ ) - Max Temperature ( $T_{SMAX}$ ) - Time $T_{SMIN}$ to $T_{SMAX}$ ( $t_s$ )	150°C 200°C 60s - 120s
<b>Soldering Zone</b> - Peak Temperature ( $T_P$ ) - Time at Peak Temperature - Liquidous Temperature ( $T_L$ ) - Time within 5°C of Actual Peak Temperature ( $T_P - 5^\circ C$ ) - Time maintained above $T_L$ ( $t_L$ ) - Ramp Up Rate ( $T_L$ to $T_P$ ) - Ramp Down Rate ( $T_P$ to $T_L$ )	260°C 10s max 217°C 30s max 60s - 100s 3°C/s max 6°C/s max
Average Ramp Up Rate ( $T_{smax}$ to $T_P$ )	3°C/s max
Time 25°C to Peak Temperature	8 minutes max



**ISOCOM**  
COMPONENTS

## PS2501-1, PS2501-2, PS2501-4

### NOTES :

- Isocom is continually improving the quality, reliability, function or design and Isocom reserves the right to make changes without further notices.
- The products shown in this publication are designed for the general use in electronic applications such as office automation equipment, communications devices, audio/visual equipment, electrical application and instrumentation.
- For equipment/application where high reliability or safety is required, such as space applications, nuclear power control equipment, medical equipment, etc., please contact our sales representatives.
- When requiring a device for any "specific" application, please contact our sales for advice.
- The contents described herein are subject to change without prior notice.
- Do not immerse device body in solder paste.



## DISCLAIMER

\_\_\_ ISOCOM is continually working to improve the quality and reliability of its products. Nevertheless, semiconductor devices in general can malfunction or fail due to their inherent electrical sensitivity and vulnerability to physical stress. It is the responsibility of the buyer, when utilizing ISOCOM products, to comply with the standards of safety in making a safe design for the entire system, and to avoid situations in which a malfunction or failure of such ISOCOM products could cause loss of human life, bodily injury or damage to property.

In developing your designs, please ensure that ISOCOM products are used within specified operating ranges as set forth in the most recent ISOCOM products specifications.

\_\_\_ The ISOCOM products listed in this document are intended for usage in general electronics applications (computer, personal equipment, office equipment, measuring equipment, industrial robotics, domestic appliances, etc.). These ISOCOM products are neither intended nor warranted for usage in equipment that requires extraordinarily high quality and/or reliability or a malfunction or failure of which may cause loss of human life or bodily injury ("Unintended Usage"). Unintended Usage include atomic energy control instruments, airplane or spaceship instruments, transportation Instruments, traffic signal instruments, combustion control instruments, medical Instruments, all types of safety devices, etc.. Unintended Usage of ISOCOM products listed in this document shall be made at the customer's own risk.

\_\_\_ Gallium arsenide (GaAs) is a substance used in the products described in this document. GaAs dust and fumes are toxic. Do not break, cut or pulverize the product, or use chemicals to dissolve them. When disposing of the products, follow the appropriate regulations. Do not dispose of the products with other industrial waste or with domestic garbage.

\_\_\_ The products described in this document are subject to the foreign exchange and foreign trade laws.

\_\_\_ The information contained herein is presented only as a guide for the applications of our products. No responsibility is assumed by ISOCOM Components for any infringements of intellectual property or other rights of the third parties which may result from its use. No license is granted by implication or otherwise under any intellectual property or other rights of ISOCOM Components or others.

\_\_\_ The information contained herein is subject to change without notice.

## X-ON Electronics

Authorized Distributor

*Click to view similar products for [Isocom](#) manufacturer.*

*Click to view products by [Isocom](#) manufacturer.*

Other Similar products are found below :

[6N137SM](#) [MCT275](#) [MCT2EX](#) [MOC3010XSM](#) [MOC3011X](#) [MOC3012SMTR](#)  
[MOC3020X](#) [MOC3022XSM](#) [MOC3023ROHS](#) [MOC3023X](#) [MOC3023XSM](#)  
[MOC3031ROHS](#) [MOC3041X](#) [MOC3041XSM](#) [MOC3042X](#) [MOC3060X](#) [MOC3061X](#)  
[MOC3061XSM](#) [MOC3062X](#) [MOC3062XSM](#) [MOC3063ROHS](#) [MOC3063XSM](#)  
[MOC3063XSMTR](#) [MOC3083XSM](#) [MOC8101X](#)