

**Perth (Head Office)**  
174 Roe Street  
Perth WA 6000

**Sydney**  
15 Short Street  
Auburn NSW 2144

**Melbourne**  
891 Princes Highway  
Springvale VIC 3171

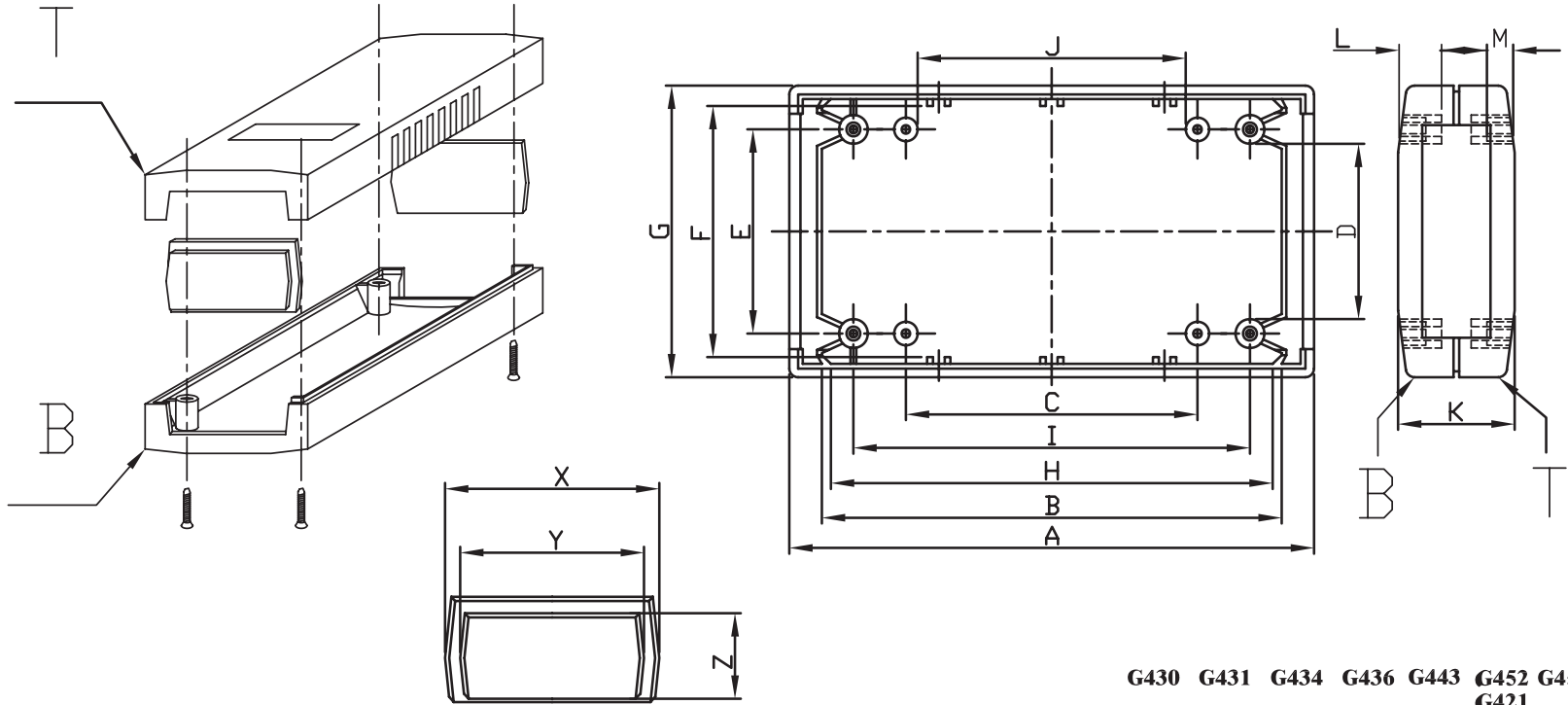
**International**  
Phone: 61 8 9428 2188  
Fax: 61 8 9428 2187

Australia-Wide Sales Hotline  
**Phone: 1300 797 007 Fax: 1300 789 777**

Order Online  
**[www.altronics.com.au](http://www.altronics.com.au)**

## Product Specification Sheet

Part No	Description	Supplier Ordering Info
H 0212	BOX ABS PROJECT 50X90X16	G430 ROHS
H 0214	BOX ABS PROJECT 50X90X24	G431 ROHS
H 0215	BOX ABS PROJECT 50X90X32	G434 ROHS
H 0216	BOX ABS PROJECT 60X120X30	G436 ROHS
H 0218	BOX ABS PROJECT 80X150X30	G443 ROHS
H 0220	BOX ABS PROJECT 100X190X40	G452 ROHS
H 0222	BOX ABS PROJECT 100X190X80	G459 ROHS
H 0260	BOX ABS PROJECT100X190X40 GRY	G421 ROHS



According to ISO 2768-m	
Measuring DIM.=L	Tolerance
$0.5 < L \leq 3.0$ mm	$\pm 0.1$ mm
$3.0 < L \leq 6.0$ mm	$\pm 0.1$ mm
$6.0 < L \leq 30.0$ mm	$\pm 0.2$ mm
$30.0 < L \leq 120.0$ mm	$\pm 0.3$ mm
$120.0 < L \leq 400.0$ mm	$\pm 0.5$ mm
$400.0 < L \leq 1000.0$ mm	$\pm 0.8$ mm

All measurements in mm.

THE HEIGHT OF PILLARS		T		B	
		L	M	L	M
PART NO.	G430	5.7	2.6	5.7	2.6
	G431	13.7	2.6	5.7	2.6
	G434	13.7	2.6	13.7	2.6
	G436	12.0	4.4	12.0	4.4
	G443	13.2	4.1	13.2	4.1
G421	G452	16.4	3.8	16.4	3.8
	G459	36.3	3.5	36.3	3.5

	G430	G431	G434	G436	G443	G452 G421	G459
A	90	90	90	120	150	190	190
B	83	83	83	111	138	180	180
C	50	50	50	80	110	150	150
D	27.5	27.5	27.5	26	46	65	65
E	35	35	35	35	55	75	75
F	40.5	40.5	40.5	44	70	83	83
G	50	50	50	60	80	100	100
H	79.4	79.4	79.4	108	138	176	176
I	68	68	68	98	128	168	168
J	42.5	42.5	42.5	72	100	140	140
K	16	24	32	30	31	40	80
X	43.8	43.8	43.8	49.7	69.7	87	87
Y	39.4	39.4	39.4	45.2	65.9	83	83
Z	8.60	16.6	24.6	18.4	18.4	26.5	66.3