

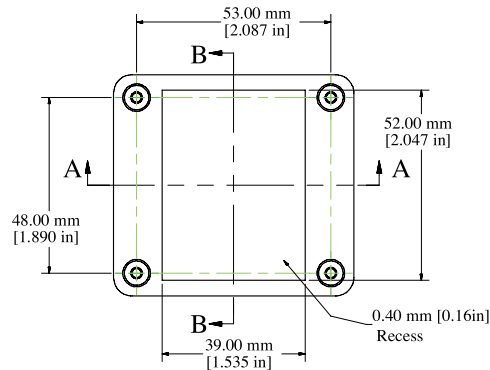
# ALTRONICS Specification Sheet

Phone: 1300 797 007  
 Fax: 1300 789 777  
 International Phone: +61 8 9428 2188  
 Internet: www.altronics.com.au  
 Email: info@altronics.com.au

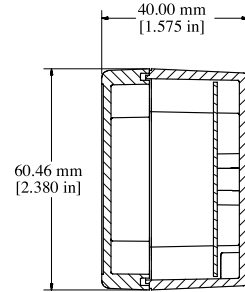
Manufactures please note, we recommend that a sample is obtained to confirm suitability. Specifications subject to change without notice.E&OE. © Altronic Distributors Pty. Ltd. ABN 84 177 396 871

Revision Date: 11/06/2010

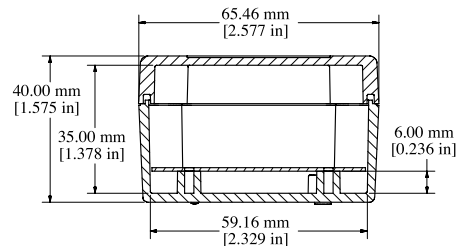
Altronics Part Number	Description	Supplier Ordering Info
H 0300	Ritec® IP65 Sealed ABS Enclosure 65L x 60W x 40H (Grey Lid & Grey Base)	RP1025
H 0320	Ritec® IP65 Sealed ABS Enclosure 65L x 60W x 40H (Clear Lid & Grey Base)	RP1025C



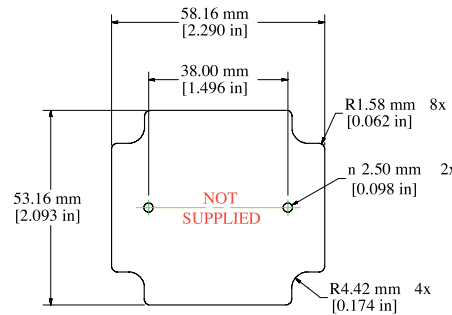
ASSEMBLY - TOP



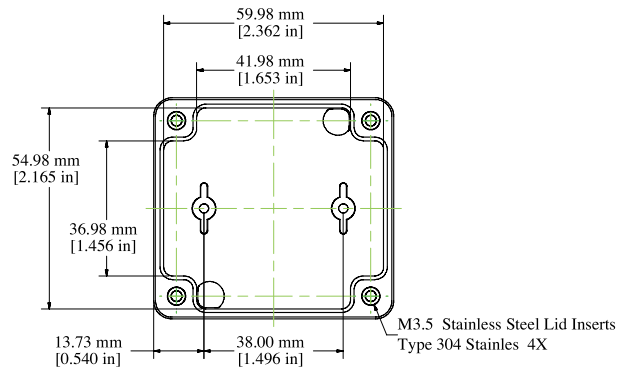
SECTION B-B



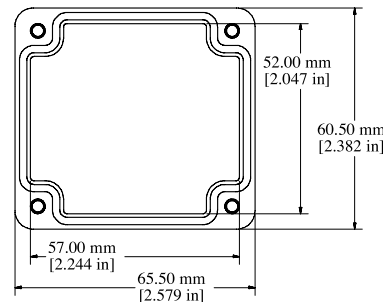
SECTION A-A



INNER PANEL



BOX - INSIDE



LID - INSIDE

RP1025
Material: ABS (UL94-HB), Light Grey color
Lid Screws: M3.5 x 10, 304 Stainless
GASKET: EDPM Cord.
Circuit Board Screws, 4 Supplied (M3 self tap)
Suggested Lid Screw Torque: 30 ozf-in (21 cN-m)