

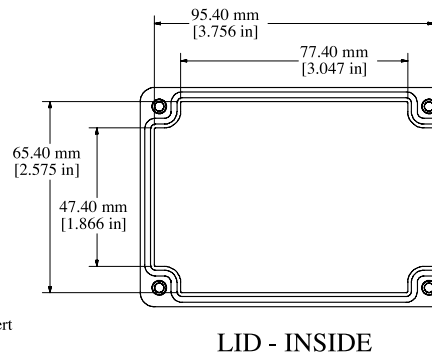
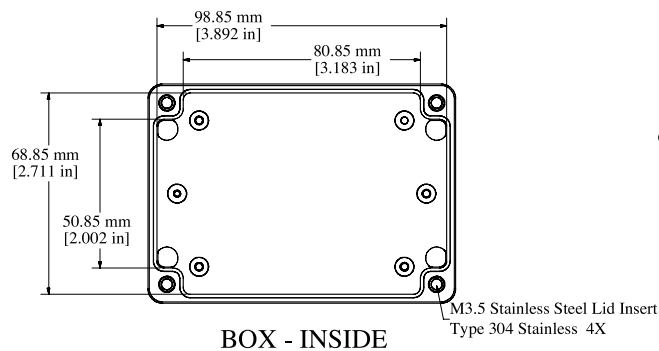
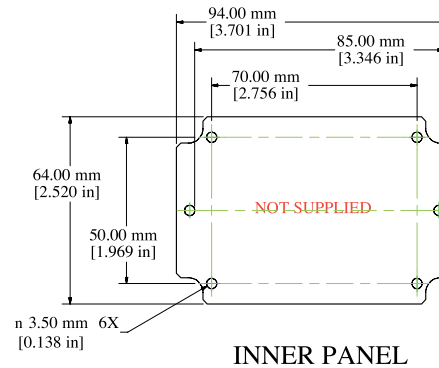
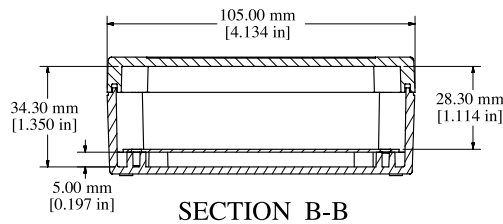
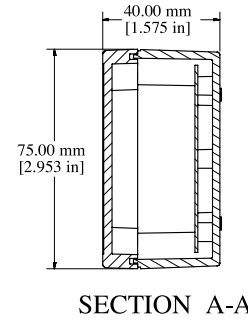
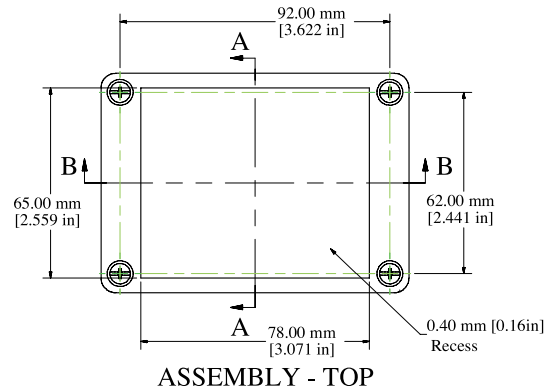
ALTRONICS Specification Sheet

Phone: 1300 797 007 Internet: www.altronics.com.au
 Fax: 1300 789 777 Email: info@altronics.com.au
 International Phone: +61 8 9428 2188

Manufactures please note, we recommend that a sample is obtained to confirm suitability. Specifications subject to change without notice.E&OE. © Altronic Distributors Pty. Ltd. ABN 84 177 396 871

Revision Date: 11/06/2010

Altronics Part Number	Description	Supplier Ordering Info
H 0301	Ritec® IP65 Sealed ABS Enclosure 105L x 75W x 40H (Grey Lid & Grey Base)	RP1085 ROHS
H 0321	Ritec® IP65 Sealed ABS Enclosure 105L x 75W x 40H (Clear Lid & Grey Base)	RP1085C ROHS



RP1085
Material: ABS (UL94-HB), Light Gray Color
Lid Screws: M3.5 x 10, 304 Stainless
Gasket: EDPM Cord.
Circuit Board Screws Supplied (M3 self tap)
Suggested Lid Screw Torque: 30ozf-in (21cN-m)