

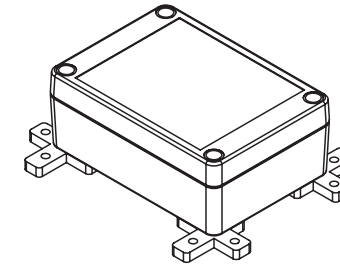
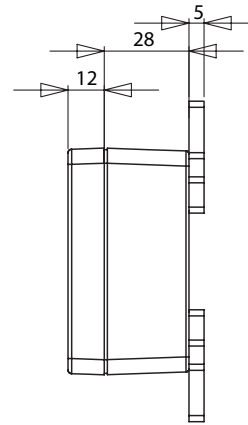
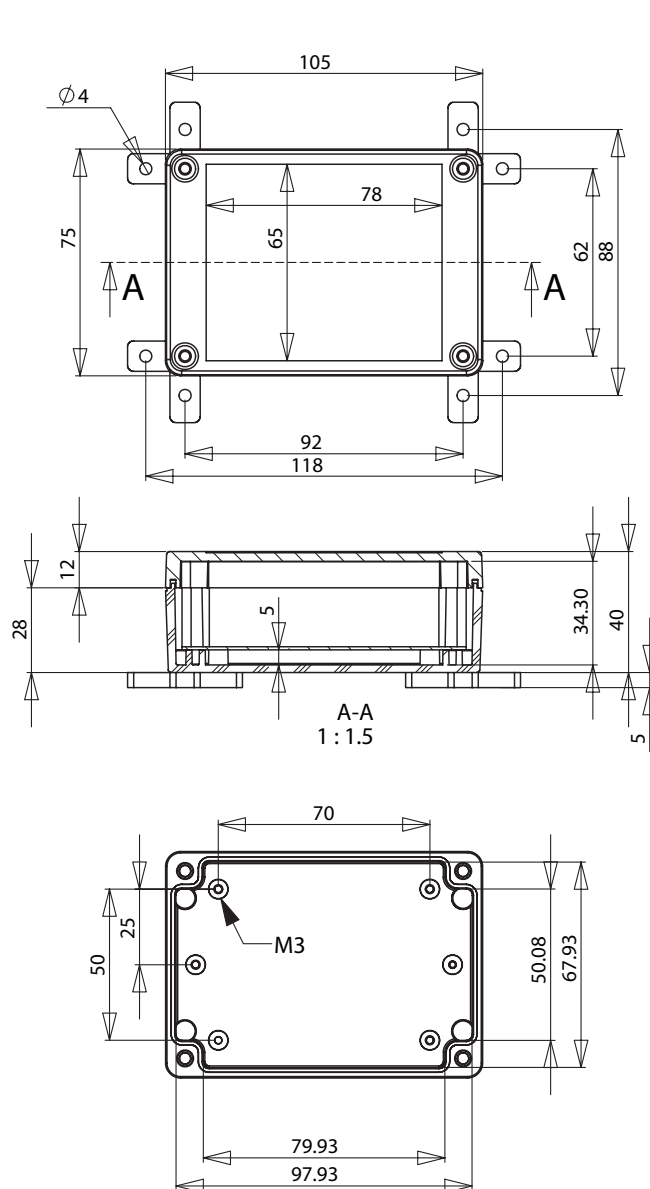
# ALTRONICS Specification Sheet

Phone: 1300 797 007 Internet: [www.altronics.com.au](http://www.altronics.com.au)  
 Fax: 1300 789 777 Email: [info@altronics.com.au](mailto:info@altronics.com.au)  
 International Phone: +61 8 9428 2188

Manufactures please note, we recommend that a sample is obtained to confirm suitability. Specifications subject to change without notice.E&OE. © Altronic Distributors Pty. Ltd. ABN 84 177 396 871

Revision Date: 30/03/2010

Altronics Part Number	Description	Supplier Ordering Info
H 0320	IP65 Sealed ABS Enclosure with Clear Lid 65L x 60W x 40H mm	RP1021C ROHS



Mounting feet purchased separately.

Size: 105 x 75 x 40 mm.  
 Material: ABS UL-94HB light grey box with clear lid.  
 Waterproof: IP65

Supplied:  
 Stainless fixing screws x 4 pcs.  
 EPDM gasket x 1.  
 PCB mounting screw x 4 pcs.

Measurements given in mm.